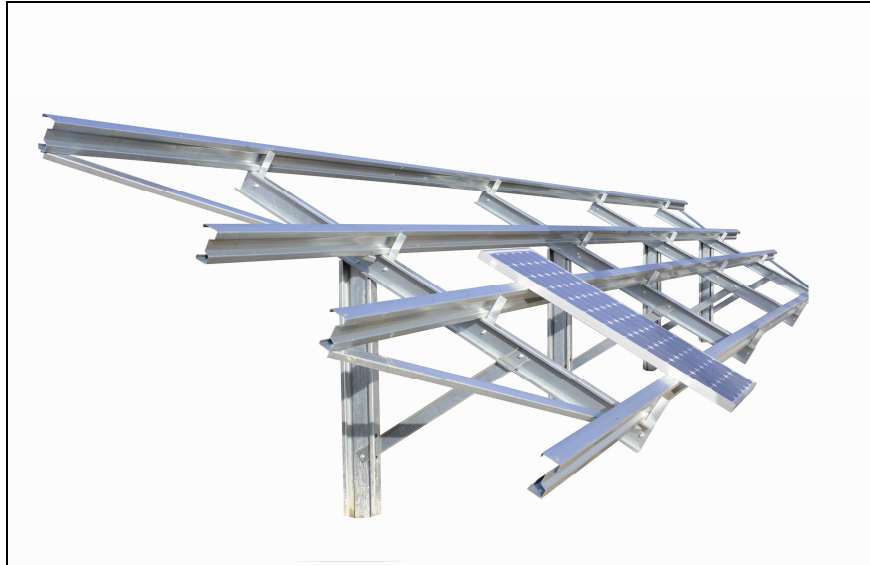


## GRUPOCLAVIJO FIXED STRUCTURE

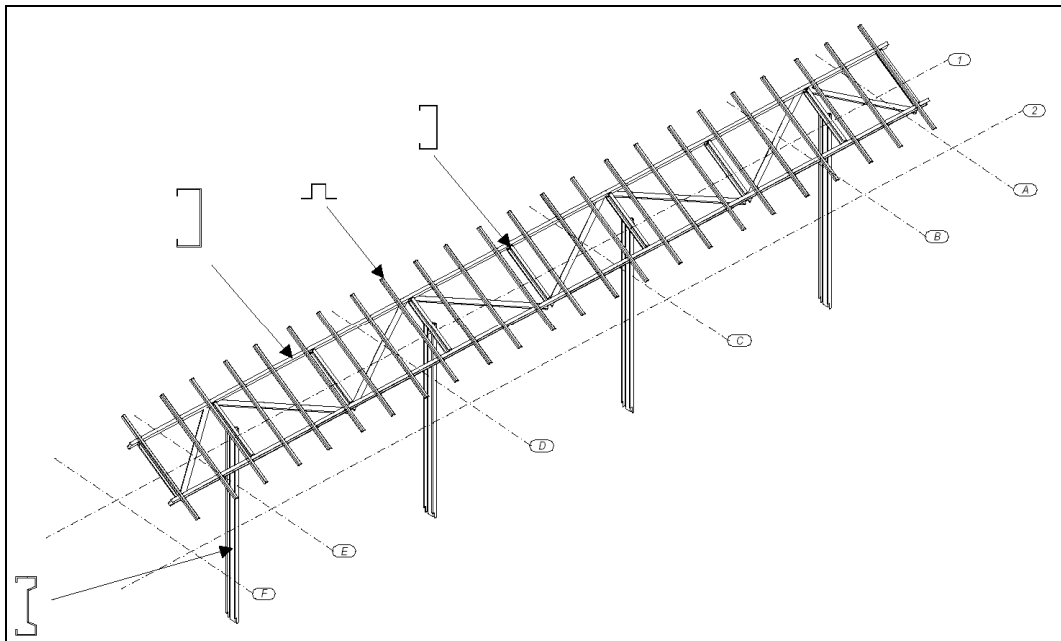
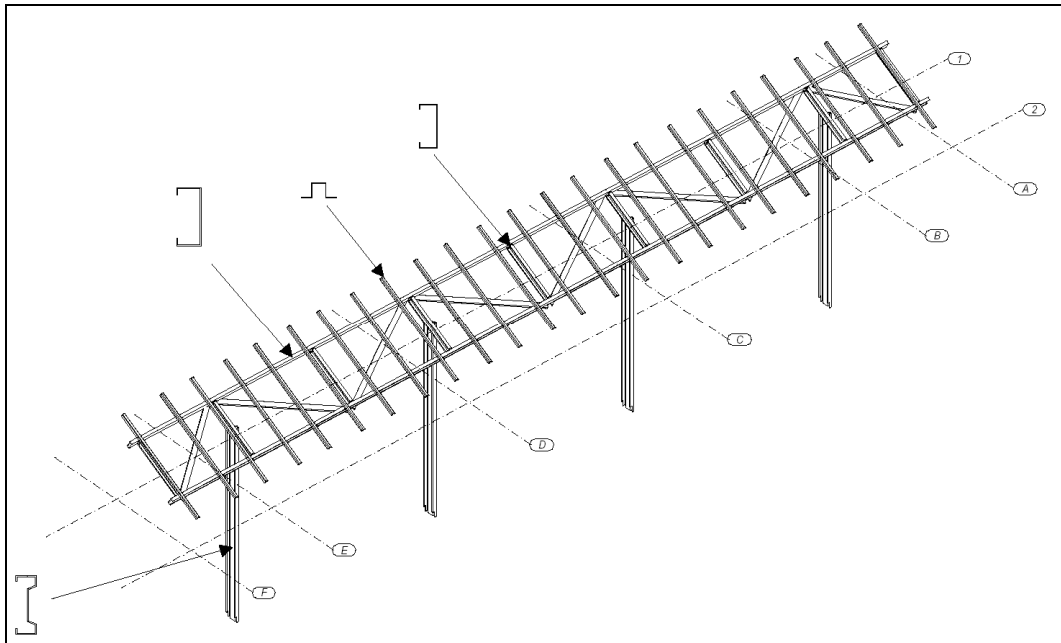
- Designed and analyzed using finite element analysis applying the loads and coefficients specified at Eurocode

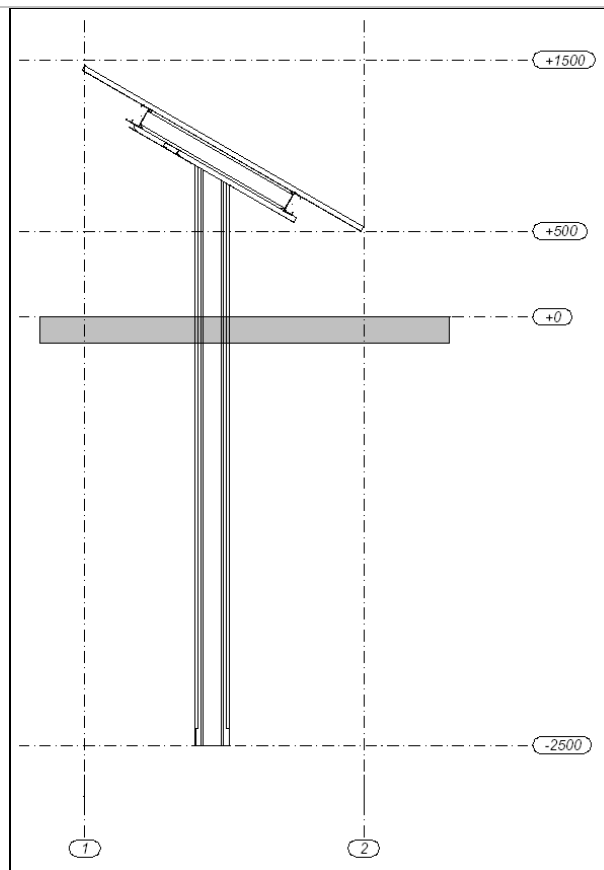


## INNOVATIVE AND DISTINGUISHING CHARACTERISTICS

- Sturdiness
- Flexible placement of photovoltaic modules (optimum use of available surface)
- Easily and quickly assembled.
- Assembly without foundation. Posts directly driven in ground.
- Available engineering department: Structures according to customer requirements.
- Weight reduction: tailored dimensions of profiles according to project needs using galvanized steel or aluminium.
- Complete structure delivered including joining parts.
- Short delivery times

## TECHNICAL CHARACTERISTICS





Modules configuration	Adaptable to customer requirements
Structure distribution	Structure up to 2 lines / vertical module or 3 lines / horizontal module
Structure Material	<ul style="list-style-type: none"> <li>S250 / S2390 &amp; Z800MA (profiles)</li> <li>Sigma shaped profiles (vertical driven in ground) hot dip galvanized (according to ISO1461)</li> </ul>
Dimensions of structure	19,5 metres long x 4 metres wide x 2,5 metres high
Module Dimensions / Power	1.600 x 808 x 50 mm / 220 Wp
Total (amount / power)	36 modules structure / 7,92 Kwp
Maximum wind speed	Up to 33,3 metres / second (120 Km / hour)
Foundation dimensions	Not applicable